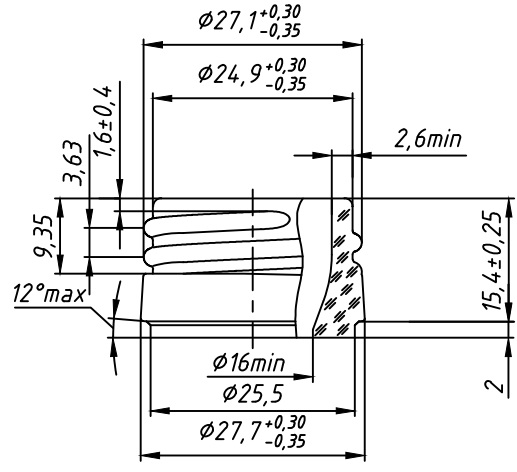
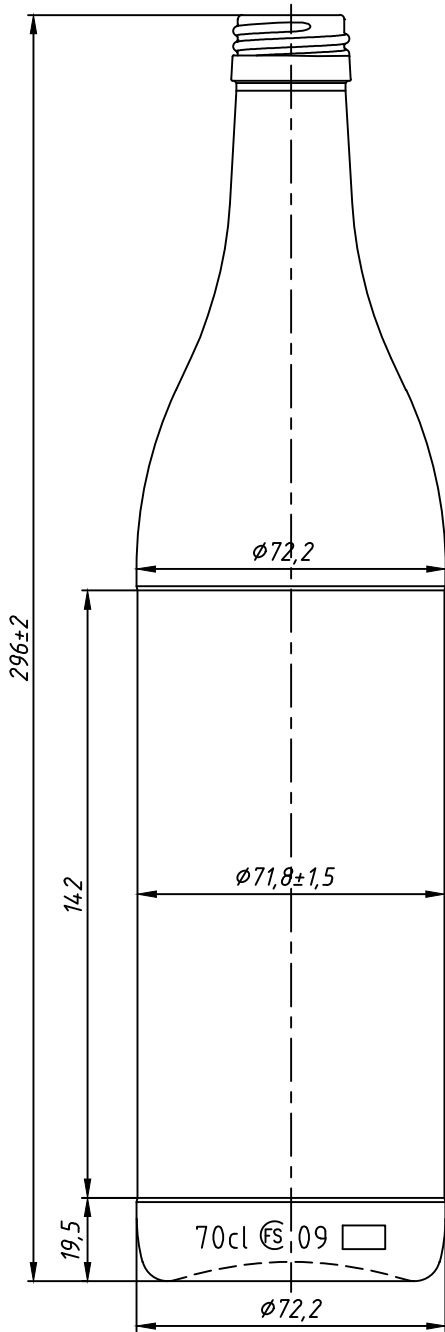


A.265



The controllable sizes of a glass finish

- $\phi 27,1^{+0,30}_{-0,35}$
- $\phi 27,7^{+0,30}_{-0,35}$
- $\phi 16min$

Finish type B-28-1, ГOCT 10117.2-2001.

Characteristics

Nominal capacity, cm³ - 700
 Full capacity, cm³ - 718±10
 Weight recommended, g - 405

SM 195:1999 ; GOST 10117.1

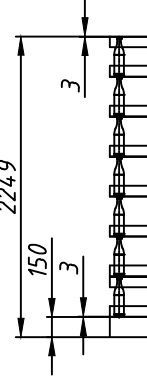
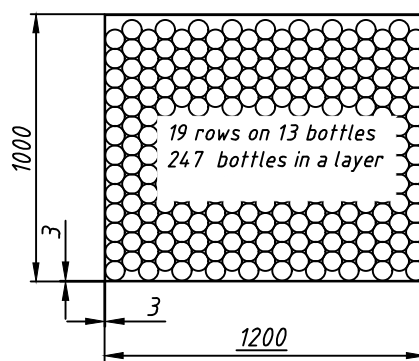
Thickness of walls not less-1.4 mm, at application of hardening, not less-1.2 mm
 Thickness of a bottom not less-2.5 mm, at application of hardening, not less, -2.2 mm
 Thermal stability, difference of temperatures, not less, °C -35
 Internal hydrostatic pressure during 60±2s not less, kgf/cm²-5

Maximum deviations

from a vertical axis not more, mm 4.15
 on height, mm ±2
 on diameter of the body, mm ±1.5
 other sizes are given for manufacturing set of forms

Agreed:

The packing scheme of the bottles in the pallet



Quantity of layers: 7
 Quantity of bottles in the pallet: 1729
 Weight of the pallet, kg: 750
 Roof: a cardboard
 Cover: thermocontractable

Original accession N / The signature and date / Instead of accession N Duplicate accession N / The signature and date

Chang.	Letter	Document N	Signature	Date
Designed		Djalo A. I.		09.03.11
Constr-r principal		Djalo A. I.		09.03.11
Dir. of manuf.		Rotari N.V.		

A.265		
Bottle "OUZO" B-28-1-700		
Letter	Weight	Scale
		1:1,25
Sheet	Sheets	1
FSC		