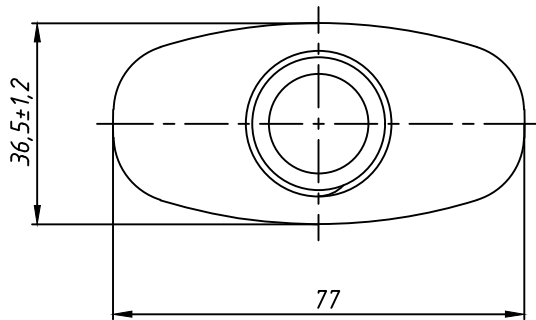
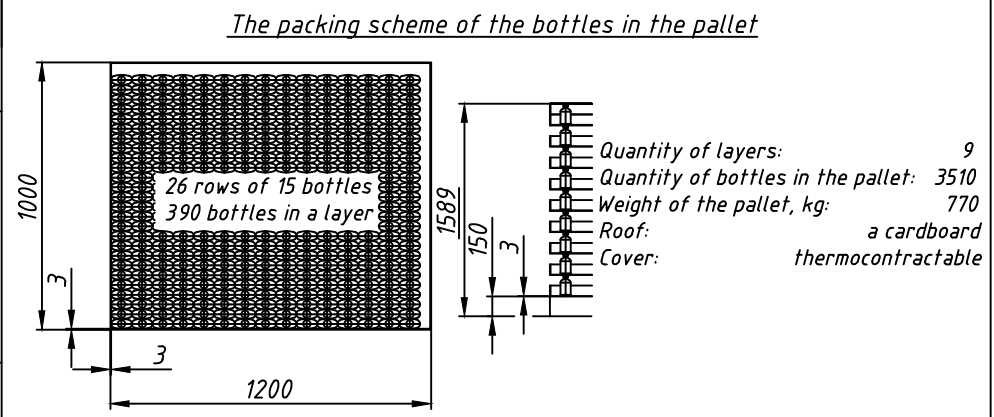


The controllable sizes of a glass finish
 $\phi 27,1^{+0,30}_{-0,35}$
 $\phi 27,7^{+0,30}_{-0,35}$
 $\phi 16\text{min}$ in other part of a mouth
 Finish type B-28-1
 ГOCT 10117.2-2001



The signature and date
 Duplicate accession N
 Instead of accession N
 The signature and date
 Original accession N

Characteristics	
Nominal capacity, cm ³	-200
Full capacity, cm ³	-210±7
Weight recommended, g -	205
SM 195:1999 ; GOST 10117.1	
Thickness of walls, at application of hardening, not less-1.2 mm	
Thickness of a bottom at application of hardening, not less, -2.2 mm	
Thermal stability, difference of temperatures, not less, °C -35	
Internal hydrostatic pressure during 60±2s not less, kgf/cm ² -2	
Maximum deviation	
from a vertical axis not more, mm	2,2
for height, mm	±1,3
by overall dimensions of the case, mm	±1,2
other sizes are given for manufacturing set of forms	
Agreed:	



A.66			
Chang.	Letter	Document N	Signature Date
	Designed	Cosovschi P.	23.09.20
	Constr.-r principal	Cosovschi P.	23.09.20
	Dir. of manuf.		
Bottle "Fleaga"-B-28-1-200			
Glass colourless		Letter	Weight
		Sheet	Scale
		Sheets	1
		FSC	