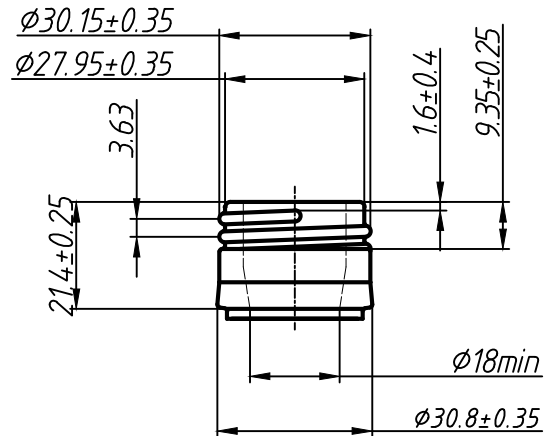
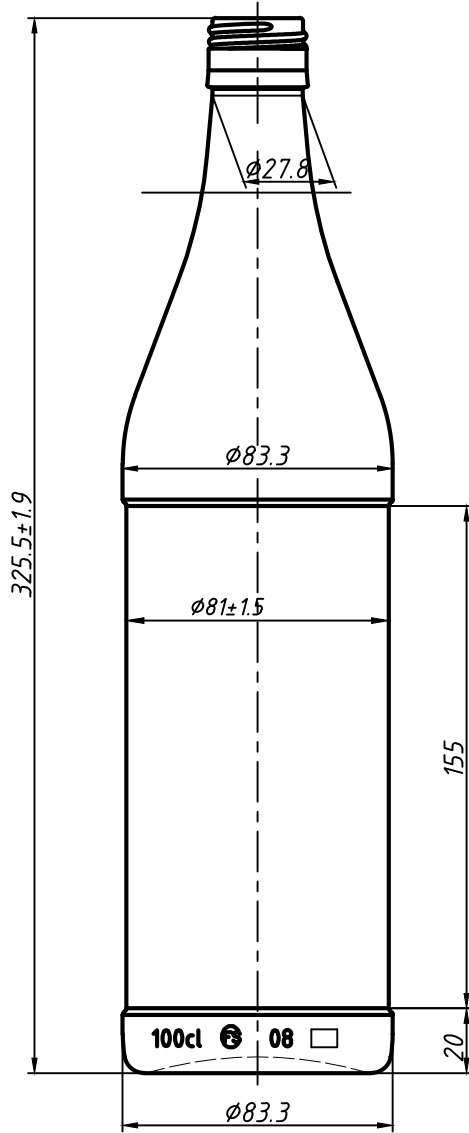


A.264



The controllable sizes
of a glass finish
 $\phi 30.15 \pm 0.35$
 $\phi 30.8 \pm 0.35$
 $\phi 18 \text{ min}$
 Finish type B-31-3
 ГОСТ 10117.2-2001

| The signature and date | <p>Characteristics Nominal capacity, cm³ - 1000 Full capacity, cm³ - 1025±15 Weight recommended, g - 545</p> | | <p>The packing scheme of the bottles in the pallet</p> | | <p>Quantity of layers: 6 Quantity of bottles in the pallet: 1104 Weight of the pallet, kg: 655 Roof: a cardboard Cover: thermocontractable</p> | | | | | | | | | | | | | | | | | | | | | | | | | | | |
|--|--|-------------|--|----------|--|--------|------------|-----------|-------|----------|--|-------------|--|----------|--------------------|--|-------------|--|----------|---------------|--|-------------|--|--|--|--|-------|--------|---|-----|--|--|
| Instead of accession N Duplicate accession N | <p>SM 195:1999 ; GOST 10117.1 Thickness of walls not less - 1.4 mm, at application of hardening, not less - 1.2 mm Thickness of a bottom not less - 2.5 mm, at application of hardening, not less, - 2.2 mm Thermal stability, difference of temperatures, not less, °C - 35 Internal hydrostatic pressure during 60±2s not less, kgf/cm² - 4</p> | | | | <p>2136 150 3</p> | | | | | | | | | | | | | | | | | | | | | | | | | | | |
| The signature and date | <p>Maximum deviations from a vertical axis not more, mm 4.55 on height, mm ±1.9 on diameter of the body, mm ±1.5 other sizes are given for manufacturing set of forms</p> | | <p>A.264</p> | | <table border="1"> <thead> <tr> <th>Letter</th> <th>Weight</th> <th>Scale</th> </tr> </thead> <tbody> <tr> <td></td> <td></td> <td>1:6</td> </tr> </tbody> </table> | | Letter | Weight | Scale | | | 1:6 | | | | | | | | | | | | | | | | | | | | |
| Letter | Weight | Scale | | | | | | | | | | | | | | | | | | | | | | | | | | | | | | |
| | | 1:6 | | | | | | | | | | | | | | | | | | | | | | | | | | | | | | |
| Original accession N | <p>Agreed:</p> | | <table border="1"> <thead> <tr> <th>Change</th> <th>Letter</th> <th>Document N</th> <th>Signature</th> <th>Date</th> </tr> </thead> <tbody> <tr> <td>Designed</td> <td></td> <td>Djalo A. I.</td> <td></td> <td>06.04.16</td> </tr> <tr> <td>Constr-r principal</td> <td></td> <td>Djalo A. I.</td> <td></td> <td>06.04.16</td> </tr> <tr> <td>Dir. of manuf</td> <td></td> <td>Rotari N.V.</td> <td></td> <td></td> </tr> </tbody> </table> | | Change | Letter | Document N | Signature | Date | Designed | | Djalo A. I. | | 06.04.16 | Constr-r principal | | Djalo A. I. | | 06.04.16 | Dir. of manuf | | Rotari N.V. | | | <table border="1"> <thead> <tr> <th>Sheet</th> <th>Sheets</th> <th>1</th> </tr> </thead> <tbody> <tr> <td colspan="2">FSC</td> <td></td> </tr> </tbody> </table> | | Sheet | Sheets | 1 | FSC | | |
| Change | Letter | Document N | Signature | Date | | | | | | | | | | | | | | | | | | | | | | | | | | | | |
| Designed | | Djalo A. I. | | 06.04.16 | | | | | | | | | | | | | | | | | | | | | | | | | | | | |
| Constr-r principal | | Djalo A. I. | | 06.04.16 | | | | | | | | | | | | | | | | | | | | | | | | | | | | |
| Dir. of manuf | | Rotari N.V. | | | | | | | | | | | | | | | | | | | | | | | | | | | | | | |
| Sheet | Sheets | 1 | | | | | | | | | | | | | | | | | | | | | | | | | | | | | | |
| FSC | | | | | | | | | | | | | | | | | | | | | | | | | | | | | | | | |
| <p>Bottle "OUZO" B-31-3-1000</p> <p>Glass colourless</p> | | | | | <p>Copied</p> <p>Format A3</p> | | | | | | | | | | | | | | | | | | | | | | | | | | | |