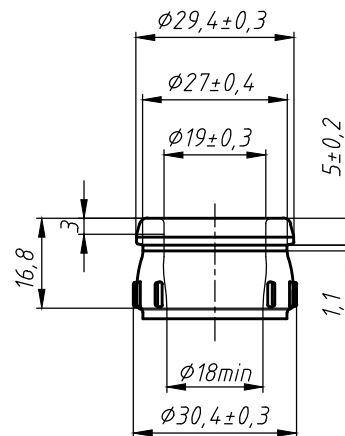
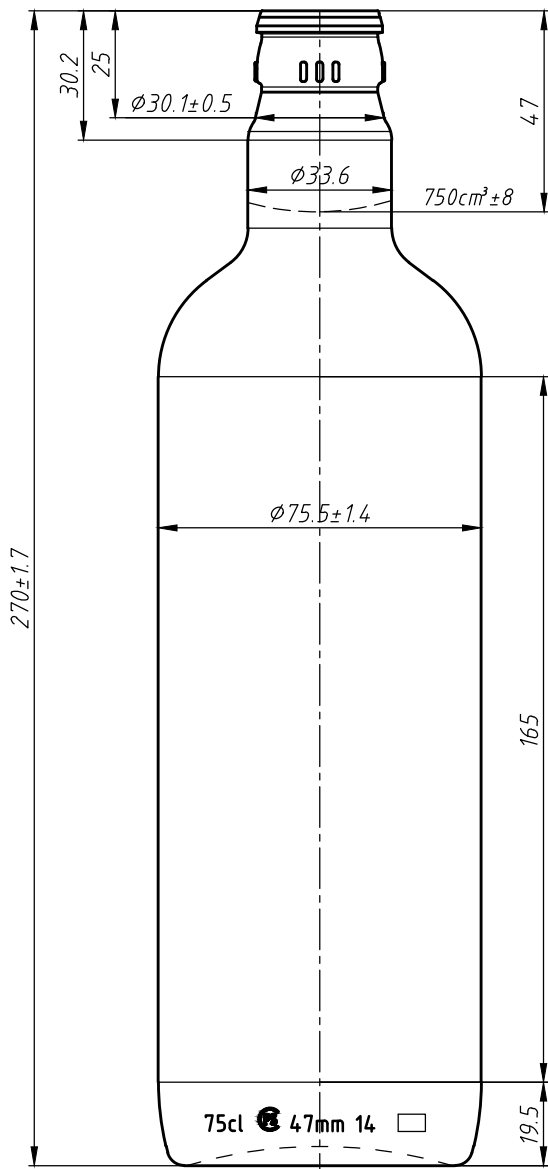
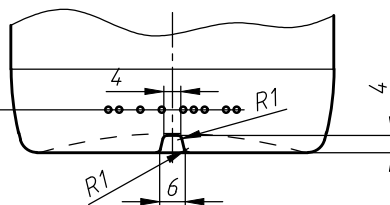


A.333



The controllable sizes of a glass finish
 $\phi 29,4 \pm 0,3$
 $\phi 30,4 \pm 0,3$
 $\phi 19 \pm 0,3$ to the depth 3 mm from the top
 $\phi 18 \text{min}$ in the rest of the neck
 Allowed on a diametrically located separate pair of anti-skid pins dimension $\phi 29.5 \text{min}$.

Finish type KPM-30



Original accession N	The signature and date	<p>Characteristics Nominal capacity, cm³ - 750 Full capacity, cm³ - 770±8 Weight recommended, g - 440</p>		<p>The packing scheme of the bottles in the pallet</p> <p>Quantity of layers: 8 Quantity of bottles in the pallet: 1800 Weight of the pallet, kg: 862 Roof: a cardboard Cover: thermocontractable</p>																					
Instead of accession N	Duplicate accession N	<p>SM 195:1999 ; GOST 10117.1 Thickness of walls not less - 1.4 mm, at application of hardening, not less - 1.2 mm Thickness of a bottom not less - 2.5 mm, at application of hardening, not less, - 2.2 mm Thermal stability, difference of temperatures, not less, °C - 35 Internal hydrostatic pressure during 60±2s not less, kgf/cm² - 2</p>																							
Original accession N	The signature and date	<p>Maximum deviations from a vertical axis not more, mm 3,8 on height, mm ±1,7 on diameter of the body, mm ±1.4 Capacity by filling level, cm³ ±8</p>		<p style="text-align: center;">A.333</p> <table border="1" style="width: 100%;"> <tr> <th>Letter</th> <th>Weight</th> <th>Scale</th> </tr> <tr> <td></td> <td></td> <td style="text-align: right;">1:1.25</td> </tr> <tr> <td>Sheet</td> <td>Sheets</td> <td style="text-align: right;">1</td> </tr> </table>		Letter	Weight	Scale			1:1.25	Sheet	Sheets	1											
Letter	Weight	Scale																							
		1:1.25																							
Sheet	Sheets	1																							
Original accession N	The signature and date	<p>Agreed:</p>		<table border="1" style="width: 100%;"> <tr> <th>Chang.</th> <th>Letter</th> <th>Document N</th> <th>Signature</th> <th>Date</th> </tr> <tr> <td>Designed</td> <td></td> <td>Djalo A. I.</td> <td></td> <td>18.07.14</td> </tr> <tr> <td>Constr.-r principal</td> <td></td> <td>Djalo A. I.</td> <td></td> <td>18.07.14</td> </tr> <tr> <td>Dir. of manuf.</td> <td></td> <td>Rotari N.V.</td> <td></td> <td></td> </tr> </table>		Chang.	Letter	Document N	Signature	Date	Designed		Djalo A. I.		18.07.14	Constr.-r principal		Djalo A. I.		18.07.14	Dir. of manuf.		Rotari N.V.		
Chang.	Letter	Document N	Signature			Date																			
Designed		Djalo A. I.				18.07.14																			
Constr.-r principal		Djalo A. I.		18.07.14																					
Dir. of manuf.		Rotari N.V.																							
		<p style="text-align: center;">Bottle "Guala"-KPM-30-750</p>		<p style="text-align: center;">Glass colourless</p>																					
		<p style="text-align: center;">FSC </p>																							