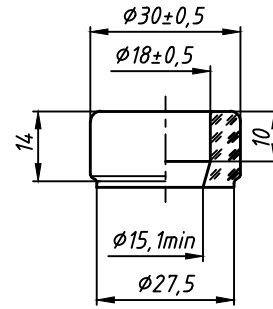
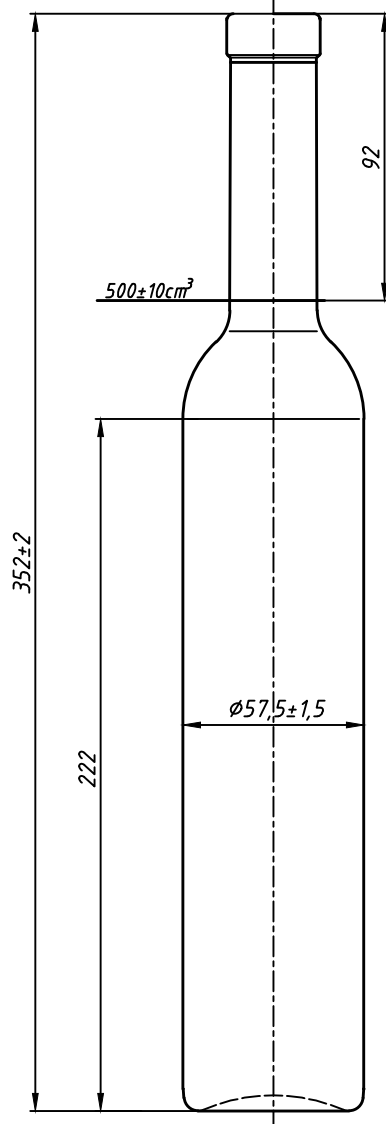


A.214



The controllable sizes of a glass finish
 $\phi 30 \pm 0,5$
 $\phi 18 \pm 0,5$ should be on depth 10 mm from a finish end face
 $\phi 15,1 \text{ min}$ in other part of a mouth
 Finish type VP_{4B}

The signature and date	<p>Characteristics</p> <p>Nominal capacity, cm³ - 500 Full capacity, cm³ - 520±10 Weight recommended, g - 437</p>	<p>The packing scheme of the bottles in the pallet</p>		<p>Quantity of layers: 4 Quantity of bottles in the pallet: 1520 Weight of the pallet, kg: 724 Roof: a cardboard Cover: thermocontractable</p>																											
Duplicate accession N	<p>SM 195:1999 ; GOST 10117.1</p> <p>Thickness of walls, at application of hardening, not less - 1.2 mm Thickness of a bottom at application of hardening, not less, - 2.2 mm Thermal stability, difference of temperatures, not less, °C - 40 Internal hydrostatic pressure during 60±2s not less, kgf/cm² - 5</p>																														
Instead of accession N	<p>Maximum deviations</p> <p>from a vertical axis not more, mm 4.95 on height, mm ±2.0 on diameter of the body, mm ±1.5 other sizes are given for manufacturing set of forms</p>	A.214																													
The signature and date	<p>Agreed:</p>	<table border="1"> <thead> <tr> <th>Chang.</th> <th>Letter</th> <th>Document N</th> <th>Signature</th> <th>Date</th> </tr> </thead> <tbody> <tr> <td></td> <td>Designed</td> <td>Djalo A. I.</td> <td></td> <td>19.10.15</td> </tr> <tr> <td></td> <td>Constr-r principal</td> <td>Djalo A. I.</td> <td></td> <td>19.10.15</td> </tr> <tr> <td></td> <td>Dir. of manuf.</td> <td>Rotari N.V.</td> <td></td> <td></td> </tr> </tbody> </table>	Chang.	Letter	Document N	Signature	Date		Designed	Djalo A. I.		19.10.15		Constr-r principal	Djalo A. I.		19.10.15		Dir. of manuf.	Rotari N.V.			<p>Bottle "Belissimo"-VP_{4B}-500</p>		<table border="1"> <thead> <tr> <th>Letter</th> <th>Weight</th> <th>Scale</th> </tr> </thead> <tbody> <tr> <td></td> <td></td> <td>1:1,6</td> </tr> </tbody> </table>	Letter	Weight	Scale			1:1,6
Chang.	Letter	Document N	Signature	Date																											
	Designed	Djalo A. I.		19.10.15																											
	Constr-r principal	Djalo A. I.		19.10.15																											
	Dir. of manuf.	Rotari N.V.																													
Letter	Weight	Scale																													
		1:1,6																													
Original accession N		<table border="1"> <thead> <tr> <th>Sheet</th> <th>Sheets</th> <th>1</th> </tr> </thead> <tbody> <tr> <td></td> <td></td> <td></td> </tr> </tbody> </table>		Sheet	Sheets	1				<p>Glass colourless</p>		<p>FSC </p>																			
Sheet	Sheets	1																													