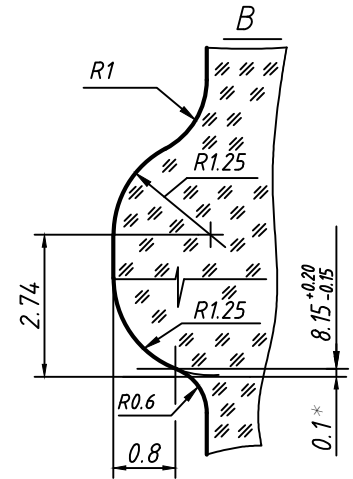
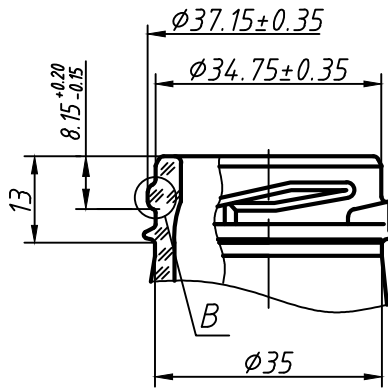
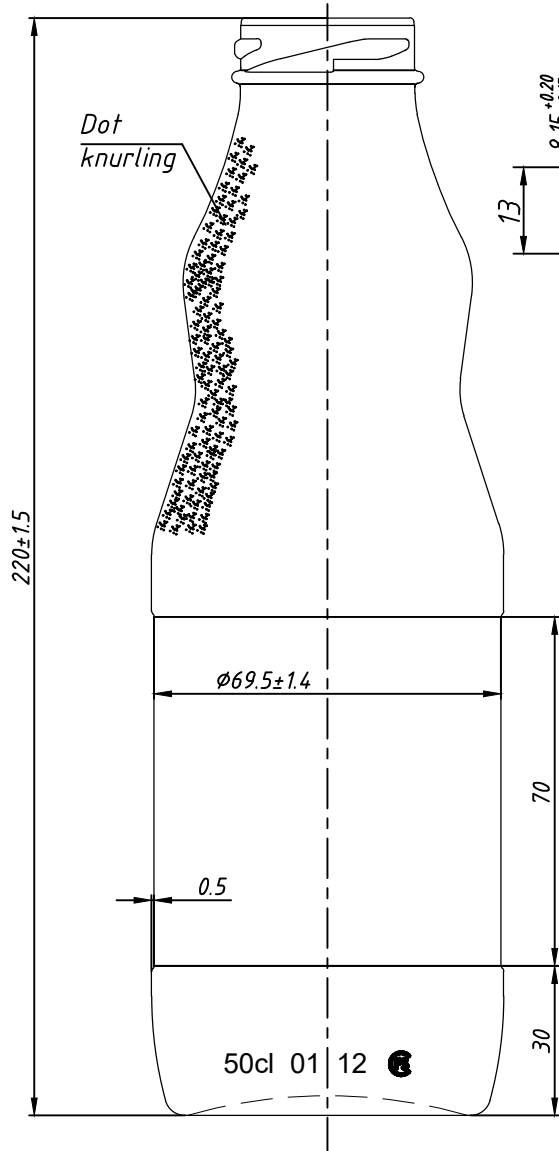


A.304



The controllable sizes of a glass finish

- Ø37.15±0.35
- Ø34.75±0.35

Ø16 min in other part of a mouth

Finish type - Twist-off 38-1 "Regular"

Characteristics
 Nominal capacity, cm³ - 500
 Full capacity, cm³ - 517±10
 Weight recommended, g - 325

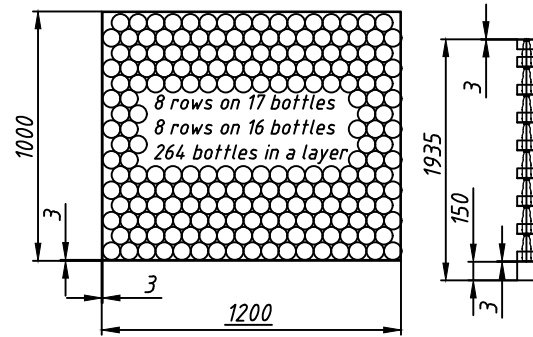
SM 195:1999; GOST 10117.1
 Thickness of walls, at application of hardening, not less -1.2 mm
 Thickness of a bottom at application of hardening, not less, -2.0mm
 Thermal stability, difference of temperatures, not less, °C -40
 Internal hydrostatic pressure during 5s not less, kgf/cm² -3

Maximum deviation
 from a vertical axis not more, mm 3.1
 on height, mm ±1.5
 on diameter, mm ±1.4

Concavity of an end face of a nimbus mouth no more, mm 0.3
 Not parallelism of an end face of a nimbus of a mouth of a plane of a bottom no more, mm-0.8
 Other sizes are given for manufacturing set of forms

Agreed

The packing scheme of the jars in the pallet



Quantity of layers: 8
 Quantity of bottles in the pallet: 2112
 Weight of the pallet, kg: 735
 Roof: a cardboard
 Cover: thermocontractable

Original accession N
The signature and date
Instead of accession N
Duplicate accession N
The signature and date

Chang	Letter	Document N	Signature	Date
	Designed	Djalo A. I.		23.07.12
	Constr-r principal	Djalo A. I.		23.07.12
	Dir. technical.	Urechi V. I.		

A.304
 Bottle
 "Mix"-Twist-off 38-1
 "Regular"-500
 Glass colourless

Letter	Weight	Scale
		1:1
Sheet	Sheets	1

FSC